

Gateway Entrance Flooring System



Surface mounted – installation instructions

Please read these instructions carefully and completely before commencing installation.

1. PREPARATION

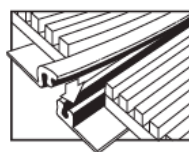
- Confirm door clearance/opening direction is sufficient for height of entrance system being installed.
- It's recommended that the entrance matting system be installed as late in the building process as possible to protect it from damage.
- Read through installation instructions before commencing.
- Unpack and inspect all materials to ensure they are free from transport damage.
- Unroll/unpack the sections of matting and lay in a clean dry protected area to acclimatize and relax. Depending on duration of storage and ambient temperature, this process may take up to 24 hours. A heatgun can be used to aid relaxation of matting.
- When handling the rolls or large panels of matting at any time during the installation, avoid dragging or rough handling that may cause stretching or distortion.

2. EQUIPMENT REQUIRED

- Gateway entrance flooring matting (supplied)
- Edging strips - aluminum or pvc types (supplied as required)
- A powered drill with size 5.5mm masonry drill bit, hacksaw, hammer, utility knife and straight edge
- Cold welding paste for PVC edging (supplied)
- Weights for use when cold welding PVC edging
- A hot air gun may facilitate installation in cold ambient temperatures.



Aluminum ramping
(for 14mm height grid only, with screws & rawl plugs supplied)



'Snap Track'
Joining Strip



PVC edging
(with PVC welding paste supplied)



Low-Profile PVC edging
(with PVC welding paste supplied)

3. DEFINITIONS

(as per British Standard 7953-1 999; Selection Installation and Maintenance of Entrance flooring systems)

Width: Distance measured at right angles to the direction of traffic flow

Length: Distance measured in the direction of traffic flow (Note: The length as defined here can, in some instances, be shorter than the width.)

Depth: Thickness of the entrance flooring system material.

Recessed well: System specifically constructed to hold the entrance flooring system so that its surface is at the existing floor level.

Surface mounted system: System for retaining entrance floor system on top of existing floor level.

Plastex Matting Inc.

120 55th St NE
Fort Payne, AL 35967
+1 256 845 7725

USA + UK manufactured
matting products:
plastexmatting.com

Watch our Gateway entrance system in action:
<https://www.plastexmatting.com/ca/videos>

Gateway Entrance Flooring System

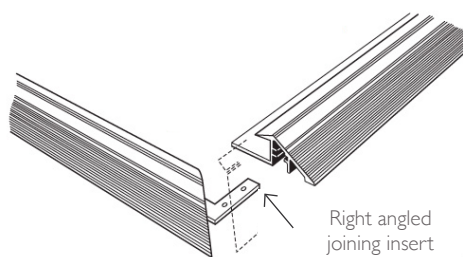


Surface mounted – installation instructions

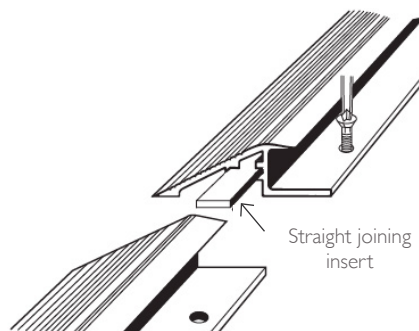
4. INSTALLING ALUMINUM EDGING

Ramp is supplied in 2 metre lengths.

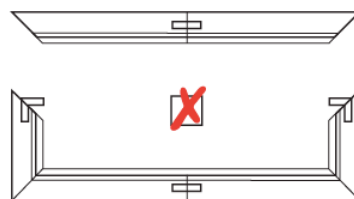
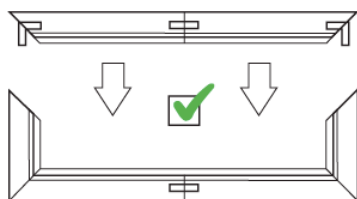
- a) To make corners (90°), mitre (at 45°) the end of each length to be joined, use right angle joining insert. Inserts are a tight push fit.



- b) To make up longer lengths, use straight joining inserts



- c) When completing the final side of the frame; note that both corner inserts should be fitted to the single remaining edge and not existing edges (see below).



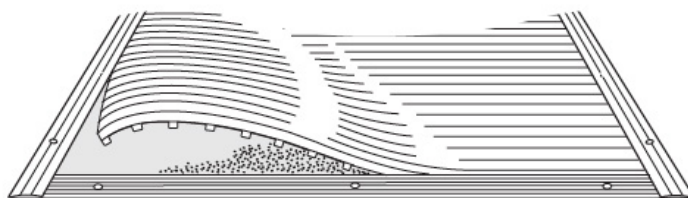
- d) It is recommended that the aluminum frame is fixed to the floor using the screws and rawl plugs provided. The countersunk holes in the frame can be used to mark the hole positions on the floor. The holes should be drilled 6mm in diameter and 36mm deep to suit the screws and plugs provided.

5. INSTALLING THE MATTING

(and sub-dividing aluminum sections if required)

The sections of matting will have been supplied slightly oversize and may require final trimming on site.

- a) The matting should be laid so that top ribs are across traffic flow with the narrower spaced bars uppermost.
- b) Cut matting using a utility knife and a straight edge. In cold ambient temperatures, warm matting with hot air gun to facilitate cutting.
- c) Ensure top surface is uppermost when doing any final trimming.
- d) Due to the elastic nature of the product, it's important to avoid rough handling of product during installation.



Note: When installing Gateway Plus or Brush ensure final trim edge retains at least one PVC bar (ie. do not trim so that insert forms edge).

Gateway Entrance Flooring System



Surface mounted – installation instructions

5. INSTALLING THE MATTING

(and sub-dividing aluminum sections if required)

Installing multiple widths of matting

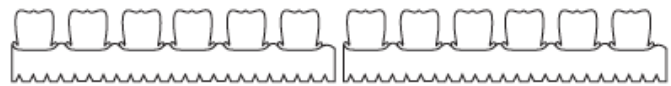
Where the front to back dimension of the mat well is greater than the maximum width of the matting available, it is recommended to cut the matting so that the base bars of one section of the matting extend outwards to form a 'dog leg' spacer (shown in red), resulting in a visually seamless join.

When the next section of Gateway Entrance Flooring is positioned against the 'dog leg', the spacing of the top ribs is maintained to provide a seamless join.

This process can be repeated over multiple widths.



Gateway Entrance Flooring cut with a 'dog leg' spacer



'dog leg seam' prior to butting matting together

6. FITTING PVC EDGING

The PVC edging can be fixed either;

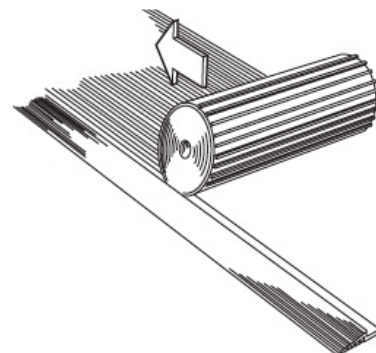
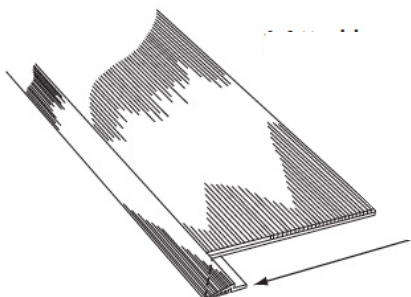
- To the matting itself to form a permanent bond or;
- To the floor to form a perimeter.

a. Fitting PVC edging to the matting:

Preparation: It is recommended that the work be carried out inside, in a well ventilated area. A flat clean floor is essential. Unroll the matting and the edges to allow them time to flatten out. Depending on duration of storage and ambient temperature, this process may take 24 hours. Be sure to do this prior to welding. In cold ambient temperatures warm PVC edging with hot air gun to accelerate flattening.

1) Attaching edge parallel to top ribs. Align and position the edging strip with the mat to be edged. If edging is required on two adjacent sides, leave sufficient edging exposed to allow for mitreing.

2) Carefully re-roll the mat, leaving edging strip in position



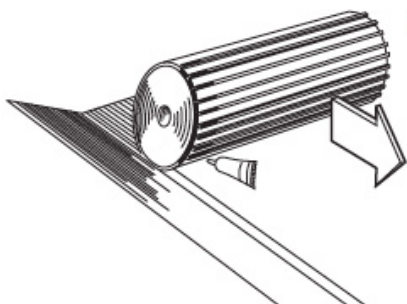
Gateway Entrance Flooring System



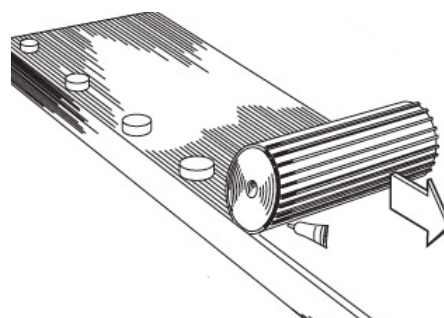
Surface mounted – installation instructions

6. FITTING PVC EDGING

3) Using the tube of cold weld paste, apply the paste to the corresponding outer edge of the contacting bar and bar edges - pasting approximately 1 metre sections at a time. Slowly unroll the pasted mat section aligning and joining to edging strip on floor.



4) Once flushly fitted in position, the section of mat will need to be weighted at evenly spaced intervals while the paste bonds - this will take between 20-30 minutes approximately. Repeat process until completed.



5) Attaching edging perpendicular to ribs. Align edges in final position to confirm mitred joints. Leaving edge to be fitted in position, lift matting to expose base bars. Apply cold weld paste to base bars and into contact with vertical face of edging. Re-join together and weight down for 20-30 minutes. Finally, weld mitre corners together with paste. Ensure not to leave any residual paste on exposed edging.

b. Fitting PVC edging to the floor:

Mark out area where edging will be placed. Ensure floor surface is clean, dry and sound. Layout edging and mitre corners as appropriate. Adhere base of edging to floor surface with either plasticiser resistant 2-part polyurethane adhesive ie. Mapei Adesilex GI9, or a heavy duty contract double sided carpet tape. Ensure the extremities of the PVC edging base are adhered to the floor.

Gateway Entrance Flooring System



Surface mounted – installation instructions

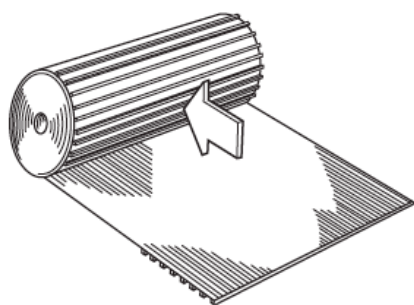
7. FITTING PVC MULTI-PURPOSE SNAP TRACK

Tools required:

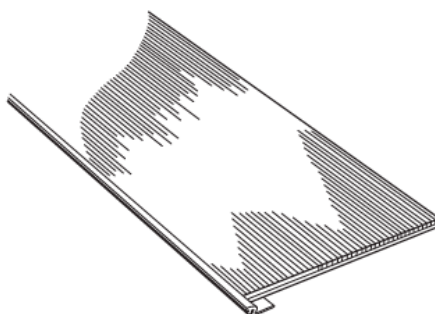
- 1 container of cold weld paste (included in the kit)
- 2 mats
- Snap track
- Weights
- Sharp knife
- Straight edge

Preparation: It is recommended that the work be carried out inside a well ventilated area. A flat clean floor area is essential. Unroll both the matting and the snap track to allow to flatten out. Depending on duration of storage and ambient temperature, this process may take 24 hours. Be sure to do this prior to welding.

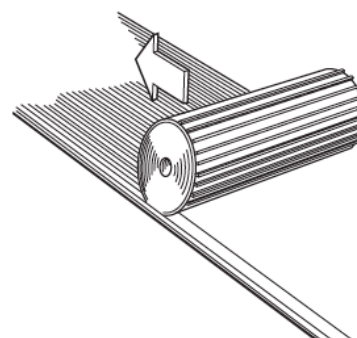
1) Unroll the mat and cut to desired length.



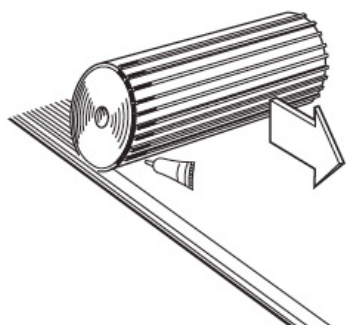
2) Unroll the snap track aligning and position the 'male' piece to mat length on 'left side'.



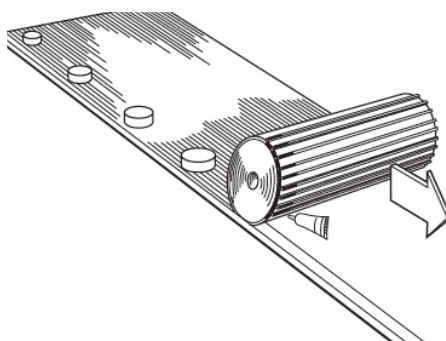
3) Carefully re-roll the mat leaving snap track in position.



4) Apply the paste to the corresponding outer edge of the contacting bar and bar edges - pasting approximately 1 metre sections at a time. Slowly unroll the pasted mat section aligning and joining to snap track on floor (as indicated by the shaded area).



5) Once flushly fitted and in position, the section of mat will need to be weighted at evenly spaced intervals while the paste bonds. DO NOT disturb joints for 30 minutes.



6) Repeat process to the other mat applying 'female' snap track to mat length on 'right side'